

Features

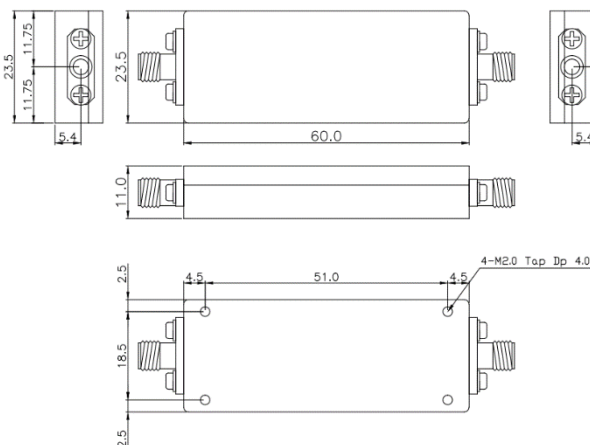
- Wide Band Cavity Band Pass Filter (28.1%)
- Very compact size and low weight
- Typical 0.3 dB Insertion Loss



Specifications

Parameter	Specifications	Remarks
Frequency Range	8,700 ~ 11,550 MHz	
Center Frequency	10,125 MHz	
Bandwidth	2,850 MHz	
Insertion Loss (Max.)	0.5 dB	
Pass Band Ripple (Max.)	0.3 dB	
Return Loss (Min.)	11.7 dB Min. (1.7:1 VSWR)	
Rejection (Min.)	45 dBc @ 5,200 MHz	
	52 dBc @ 13,500 ~ 20,200 MHz	
In/ Out Impedance	50 Ω	
Handling Power (Max.)	CW 1 W	
Temperature Range	-20 ~ +85 °C	
Dimensions	23.5 * 60.0 * 11.0 mm	Excluding Connectors
Connector	SMA (Female)	

Outline drawing



Typical Response

